



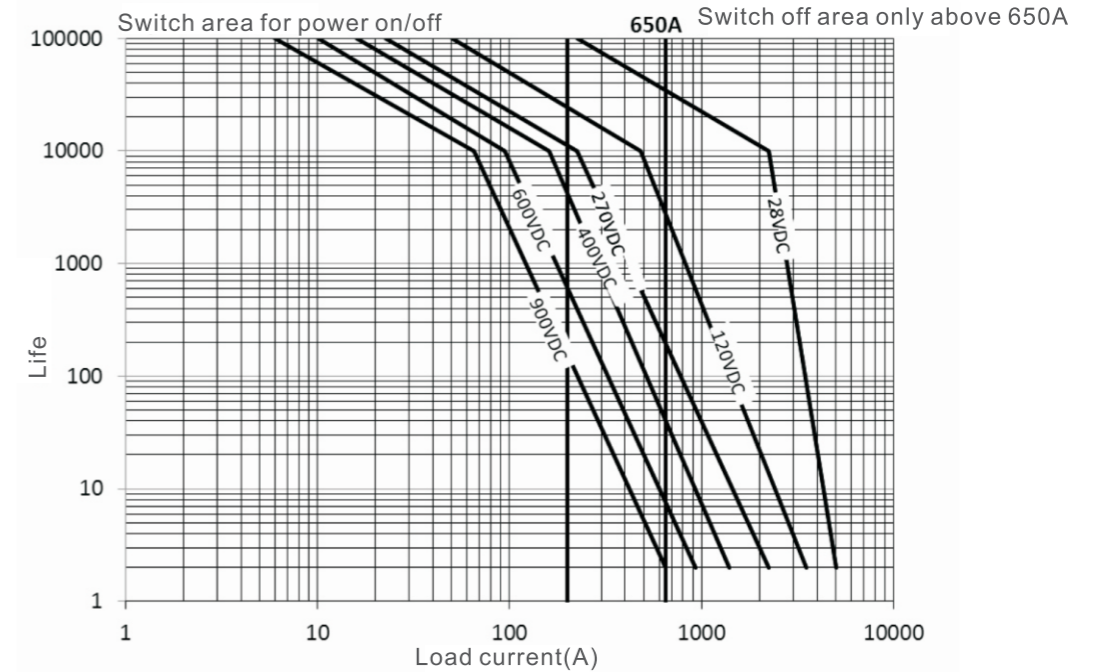
FEATURE

- 200A Contact switch capacity, Small volume;
- A set of bridge type N.O.contacts& a set of N.O. aux contact, contact circuit has "+", "-" polarity;
- Application: Telecom equipment、Solar system、Engineering machinery、 Electromobile、 Electric vehicle、 Charging system、 Train、 Ships、 UPS etc.;
- Comply with the ROHS

| SPECIFICATION | | |
|---------------|--|--|
| NO. | Product No. | DH200 |
| 1 | Contact type | 1H(SPST-NO) |
| 2 | Rated load current of contact(Resistive load) | 200A (DC-1) |
| 3 | The max switch current | 2000A(320VDC) 1time |
| 4 | Contact voltage drop | ≤80mV@200A |
| 5 | Switching voltage | 12~900V DC |
| 6 | Standard pick-up time (including contact bounce) | Max. 40ms. |
| 7 | Contact bounce time | Max. 5ms. |
| 8 | Release time | Max. 10ms. |
| 9 | Vibration(Sinusoid、 80~2000HZ、 peak) | (80~2000)HZ, ≤20g |
| 10 | Shock (11ms,1/2 Sinusoid、 peak、 pick-up) | ≤20g |
| 11 | Operating ambient temperature | -40°C~+85°C |
| 12 | Relative humidity | 20%~90% RH |
| 13 | Insulation resistance | Min. 100MΩ @ 500VDC |
| 14 | Dielectric strength (Between Insulated Electric Parts) | 2200VAC 50 Hz/60 Hz (1 minute) 1000VAC 50Hz/60Hz (1 minute) (between aux. contacts) Leak current<1mA |
| 15 | Electrical life | Please refer to diagram of resistance load life |
| 16 | Aux. contact type | 1NO |
| 17 | Rated load of aux. contact | 2A/24V |
| 18 | Min. load of aux. contact | 100mA/8V |
| 19 | Mechanical life | 300,000 times |
| 20 | Mounting direction | Any direction |
| 21 | Working duty | Continuous |

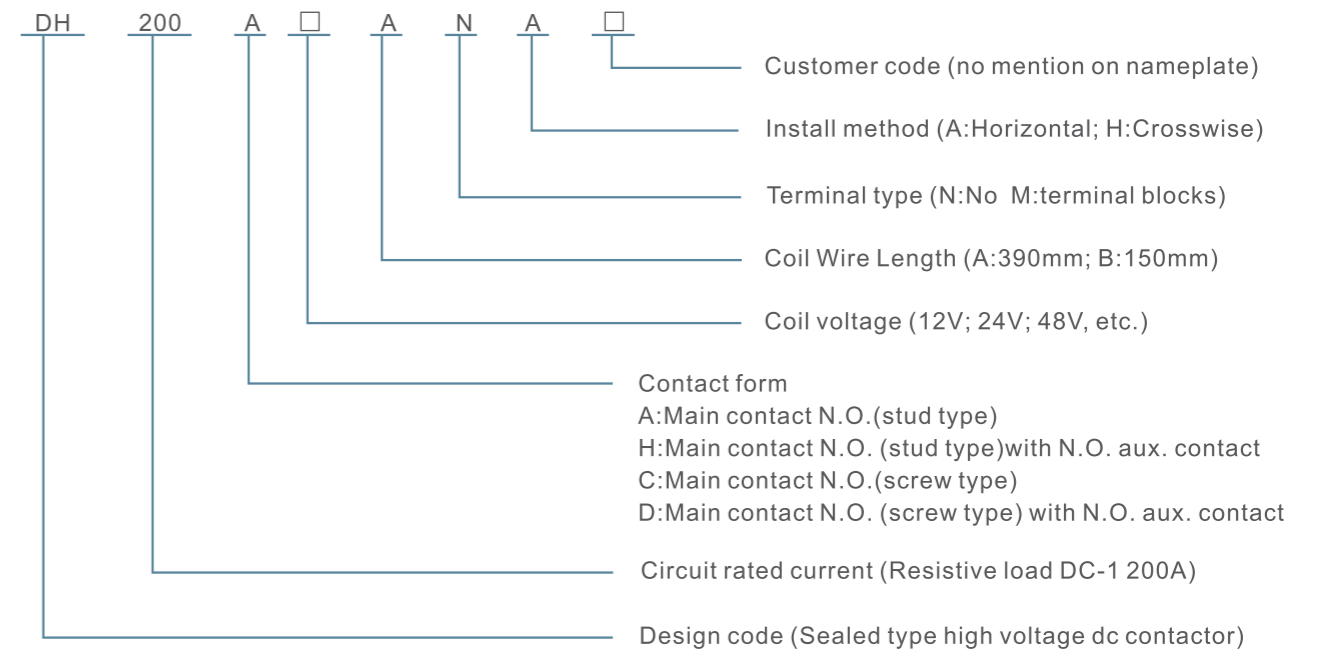
| COIL DATA | | | | | |
|-----------|------------------|----------------------------|---------------------|---------------------|----------------|
| P/N | Coil voltage (V) | Coil operating voltage (V) | Pick-up voltage (V) | Release voltage (V) | Coil Power (W) |
| DH200 | 12 | 0.85US~1.2US | ≤9 | ≥1 | 12~15 |
| | 24 | | ≤18 | ≥2 | |
| | 48 | | ≤36 | ≥4 | |

Resistive load life at different voltages



- Note:
- 1、 The rated electrical life is based on resistance load test. The load max inductance≤300 μ H; If used with inductive load, please do contact the factory first.
 - 2、 The above curve is drawn according to the test and infer data. Suggest users confirm in practical use.
 - 3、 When the product's Dielectric withstand voltage、 insulation resistance is less than the product parameters in the table, the product is defined as a life to an end.
 - 4、 Product max pick-up current is 650A to avoid contact cold welding.

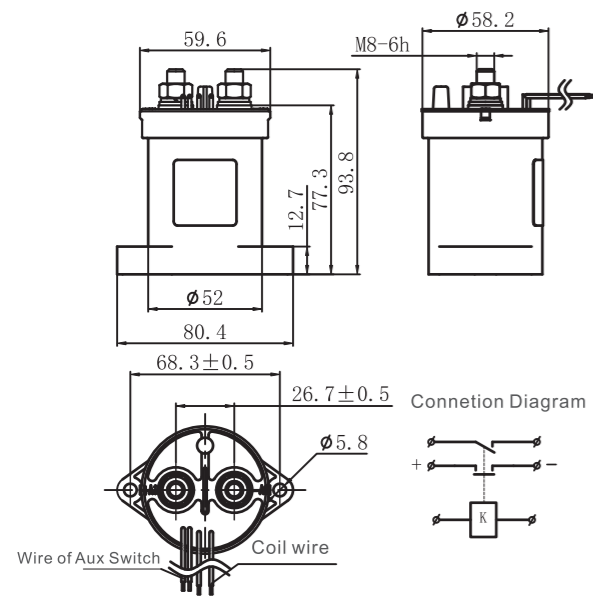
PRODUCT MODEL DEFINE



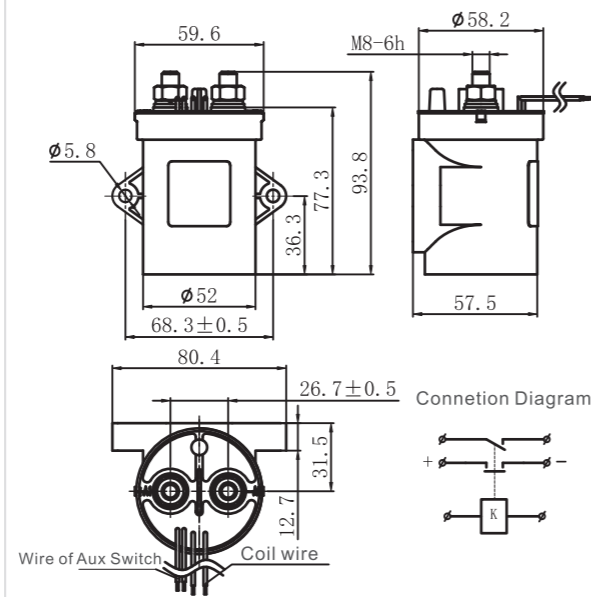
For example:DH200A12ANA means: Sealed type high voltage dc contactor, Rated current is 200A with DC-1 load, main contact N.O.(stud type),without aux. contact, coil voltage is DC12V,coil wire length is 390mm,horizantal installation.

Outline mounting dimension and circuit diagram

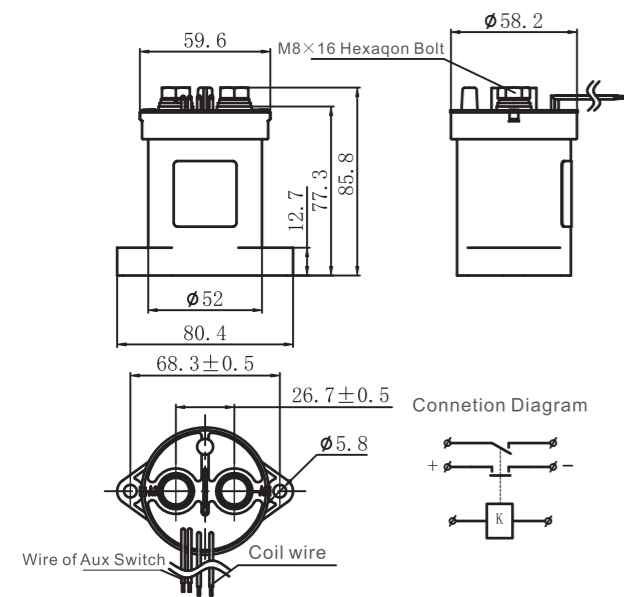
1、DH200H□□NA



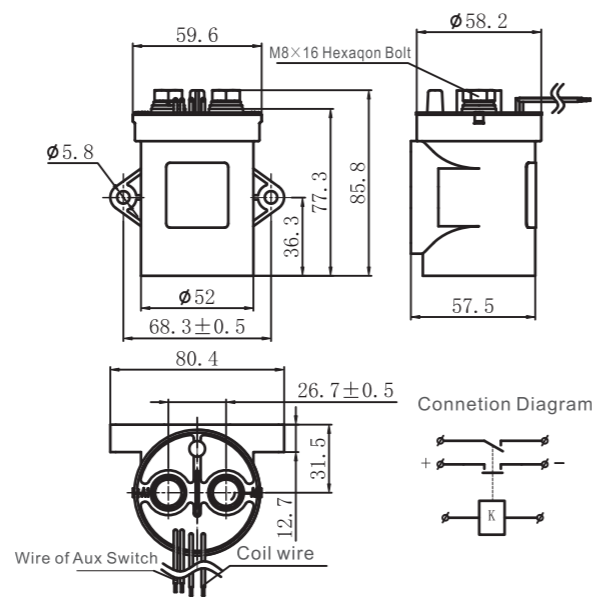
2、DH200H□□NH



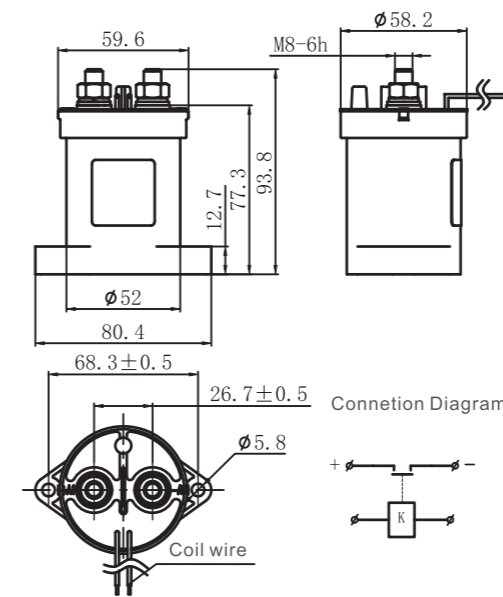
3、DH200D□□NA



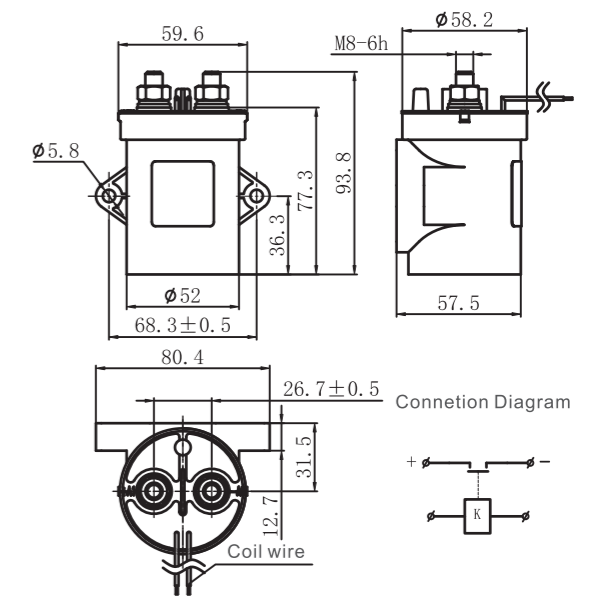
4、DH200D□□NH



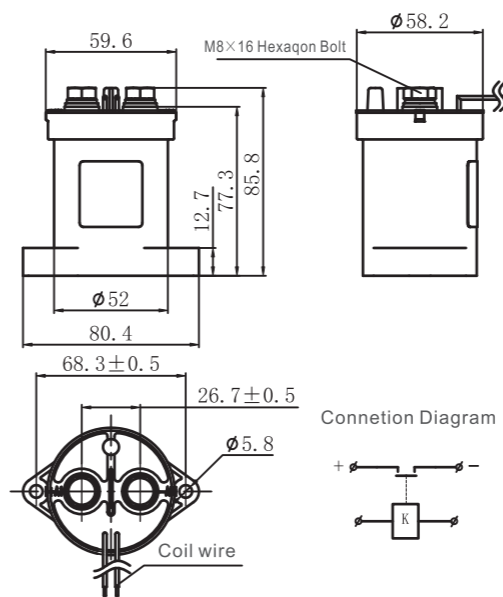
5、DH200A□□NA



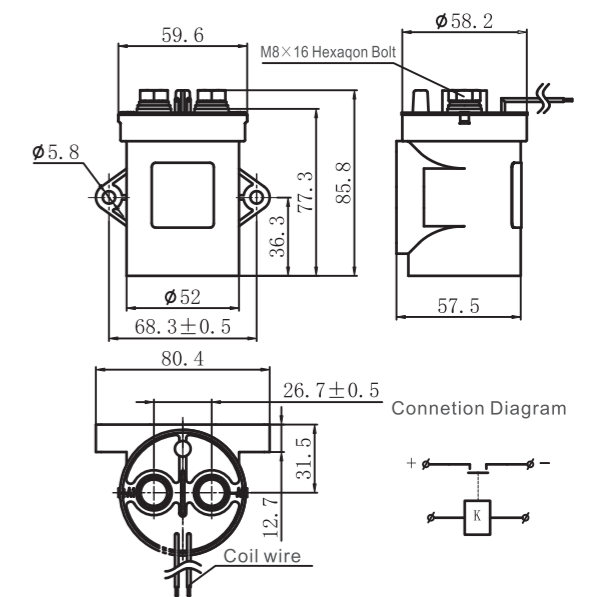
6、DH200A□□NH



7、DH200C□□NA



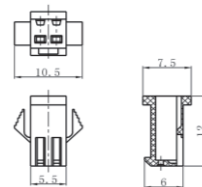
8、DH200C□□NH



Accessory

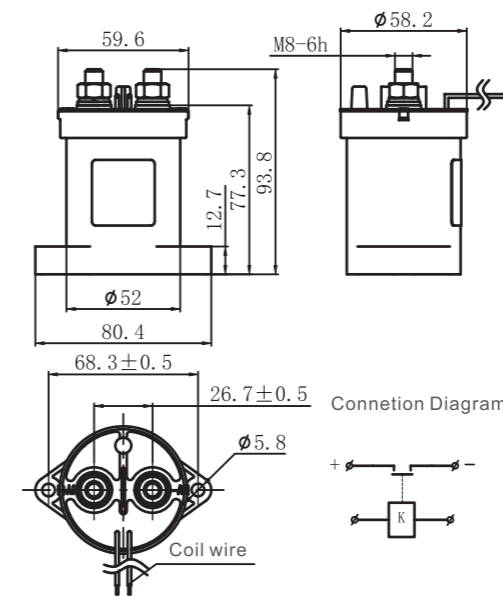
DH200 series product with terminal part no is:DH200□□□M□□, the additional code means terminal.

Additional code: M4
 Plug type: SM-2Y-HW
 Terminal type: SMA-HW
 Terminal dimension figure:
 Matched plug type: SM-2A-HW
 Matched terminal type: SMY-HW

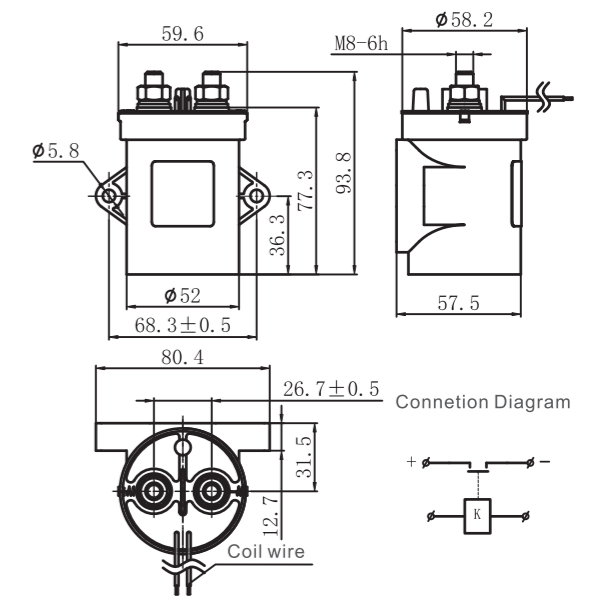


Outline mounting dimension and circuit diagram

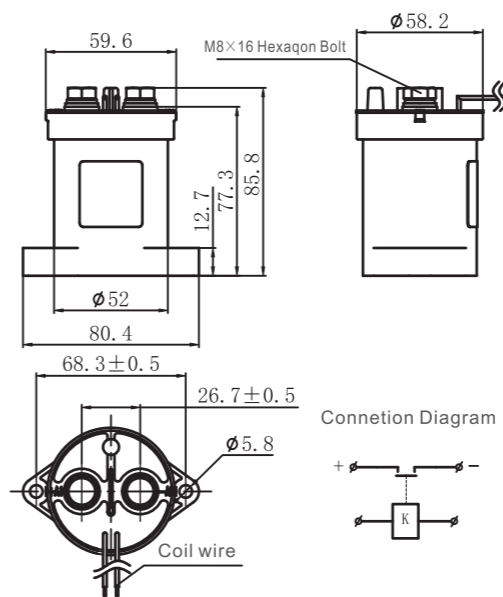
5、DH200A□□NA



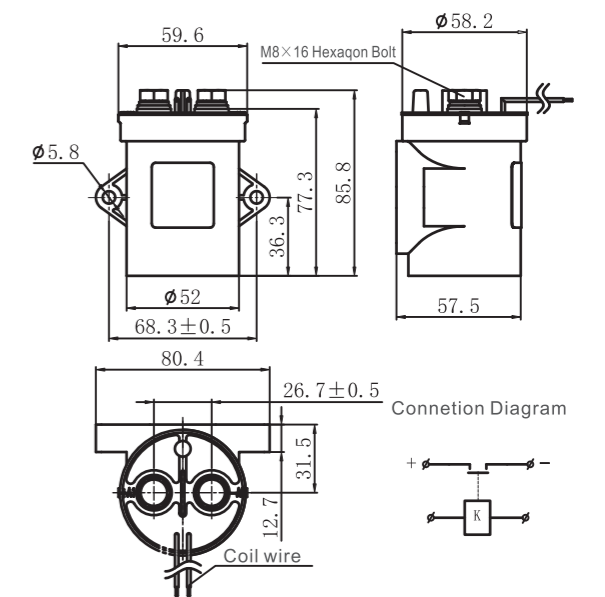
6、DH200A□□NH



7、DH200C□□NA



8、DH200C□□NH



| Dimension (mm) | Tolerance grade not noted (mm) |
|----------------|--------------------------------|
| 0~30 | ±0.3 |
| 30~60 | ±0.5 |
| 60~100 | ±1 |
| >100 | ±2 |

Note:

- The outline mounting dimensions of products are same whether with or without aux. contact;
- Both coil and main contact are polarized; The lead-out wire of coil, please connect red wire to "+" polarity & black wire to "-" polarity; Connect "+" polarity to the main contact terminal with "+" mark, and connect "-" polarity to the main contact terminal with "-" mark.